

Shanghai EDA Medical & Pharmaceutical  
Technology Co., Ltd.

Telephone / Fax : +86 21 37026221

Email : [info@edapm.com](mailto:info@edapm.com)

## 搪玻璃放料阀

### GLASS LINED FLUSH VALVES

- 波纹管式 Bellows Type
- 气动 Pneumatic
- 紧急手轮开启 Emergency Handwheel
- 机械位置开关 Mechanical Position Switch
- 全自动调节阀门开关 Automatic Control Unit



该搪玻璃放料阀的阀体和阀芯由优质钢材焊接而成，并涂搪符合欧洲DIN EN 15159标准的耐腐蚀瓷釉，它和搪玻璃过程设备一样能承受相同标准的压力。钢板型壳体适用最高设计压力1.6MPa。

波纹管用纯PTFE制造，此密封比填料更有效。用户特别需要时，也可选用哈氏合金。标准配置适用最高操作压力6bar，操作温度为-20 ~180 °C。



可以利用侧面的孔实现非常容易的清洗和维修。该孔也可以安装视镜、清洗装置和其他检测仪表。

我们设计的放料阀可以配德国DIN标准的搪玻璃管口，也可以配中国标准HG/T2143-91标准孔，设计温度为-20 ~180 °C。阀的出料口配活套法兰，标准配置为HG20592 PN16（同DIN 16 bar），也可定制其他标准的法兰。

我们的放料阀有手动和气动两种。在气动放料阀上我们还增加了紧急手轮开关装置。以避免在气动失效时不能开关。

当有低液位温度测量要求时，可以在阀芯端部安装金属铂的测温头和Pt100热敏电阻来测量温度。

The valve body and valve plug of our glass lined flush valve are made of high-quality steel by welding, and coated with corrosion resistant glass which conforms to European DIN EN 15159 standard. It can endure same pressure as glass lined process equipment, and its steel plate shell is applicable to maximum 1.6MPa design pressure.

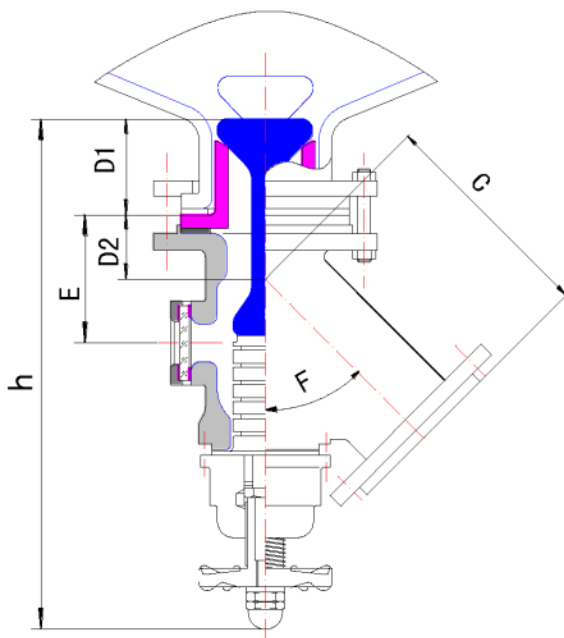
The bellows are made of virgin PTFE, which is more effective sealing comparing to packing seal. Hastelloy is optional also, if required. Maximum operating pressure for standard configuration is 6bar, operating temperature -20 ~180 °C.

The side hole design is for the purpose of easy rinsing and maintenance. Sight glass, rinsing device or other instruments can be installed here.

Outlet of our valve can be designed either according to German DIN standard, or according to Chinese HG/T2143-91 standard, with design temperature -20 ~180 °C. Split flange is equipped to the outlet according to HG20592 PN16 (same as DIN 16 bar). Split flanges according to other standards can also be customized.

We have manual and pneumatic two options. Emergency hand wheel is added to the pneumatic valve, to work when pneumatic control fails.

Tantalum-tip can be installed on valve plug end with Pt100 thermometer to detect temperature of low level liquid.



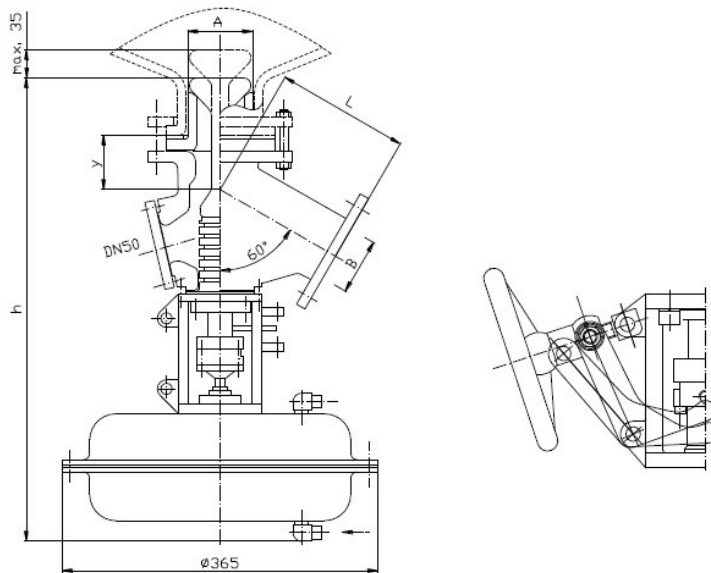
无论手动或气动放料阀，都可在阀芯上加装PT100测温用钽头，以达到设备底部测温。

Tantalum tip with PT100 can be added to valve plug for temperature measurement at the bottom, either for manual or pneumatic type.

### 搪玻璃手动放料阀

### Manual Glass Lined Flush Valves

规格 Spec. DN1/DN2	接孔标准 Std of Nozzle	主要尺寸 Main Dimensions (mm)					
		C	~D1	~D2	~E	h	度° F
DN80/50	DIN DN80	150	60	90	120	500	60
DN100/80 C	DIN DN100	210	70	70	130	520	45
DN125/80 C	DIN DN125	210	70	70	130	520	45
DN150/100 C	DIN DN150	225	100	75	140	590	60
DN100/80 HC	HG DN100	210	70	70	130	520	45
DN125/80 HC	HG DN125	210	70	70	130	520	45
DN150/100 HC	HG DN150	225	80	75	140	570	60



**搪玻璃气动放料阀 Pneumatic Glass Lined Flush Valve**

型号规格 Spec.	放料孔标准 Std of Nozzle	主要尺寸 Main Dimensions (mm)					质量 Weight (kg)
		A	-B	L	-y	-h	
P DN80/50	DIN DN80	ø80	ø48	145	95	685	50
P DN100/80	DIN DN100	ø100	ø77	180	90	690	55
P DN125/80	DIN DN125	ø125	ø77	180	90	690	60
P DN150/100	DIN DN150	ø150	ø96	200	85	710	70
P DN200/150	DIN DN200	ø200	ø142	220	110	770	90
P DN100/80H	HG DN100	ø76	ø77	180	90	685	55
P DN125/80H	HG DN125	ø106	ø77	180	90	690	60
P DN150/100H	HG DN150	ø126	ø96	200	85	710	70

所有的气动放料阀配机械限位器，防止开启过头。也可选配全自动气路控制系统，以达到控制阀门开关的目的。

气路控制系统由以下部分组成：

- 埃菲尔 (Aphe) 电磁阀包括 Nass 线圈 (24V DC, II 2G Ex ia II CT6);
- 埃菲尔 (Aphe) 限位开关 (8V DC, Ex ia II CT6);
- 亚德克 (Airtac) 过滤减压阀 (带压力表) ;
- 不锈钢连接气管和快速接头以及安装板等。

也可配其他的气动控制元件，例如德国海隆 (Herion) 或美国阿斯科 (ASCO) 的电磁阀，FESTO过滤减压阀等。



All pneumatic valves are integrated with mechanical position limiter, to avoid over-opening. Full-automatic pneumatic control system optional, for switching on/off of the valves.

The pneumatic control system consists of:

- Aphe magnetic valve, including Nass coil (24V DC, II 2G Ex ia II CT6);
- Aphe limit switch (8V DC, Ex ia II CT6);
- Airtac filter pressure reducing valve;
- Stainless steel hose, quick coupling and mounting plate etc.

Other pneumatic control components optional, for example: German Herion or American ASCO magnetic valves, FESTO filter pressure reducing valve etc.